



# Control & Automation Companies

*Integrated Engineering Solutions for Global Companies*

## **Catheter Hole Punch Machine MODEL CAC-TSM-001**

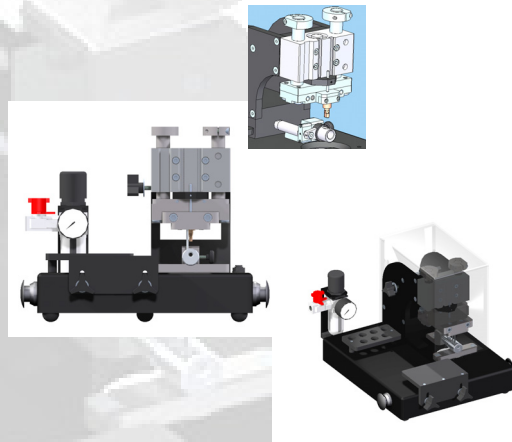
**Control & Automation Companies (CAC)** semi-automatic pneumatic hole punch machine is designed to perform a precise vertical cut on extruded plastic tubes commonly used for Medical Device catheters.

This machine accepts standard or custom tooling for single. Punch travel distance is adjustable and the dual-hand activation feature enhances operator safety.

The ergonomic design reduces common operator hand injuries while improving process through-put and yield rate.

### **Features:**

- Simple precision depth control
- Round and oval hole punching capability
- Two-hand pneumatic activation
- Adjustable ejector pin
- Adjustable depth stop
- Automated plug ejection
- Quick change tooling
- Custom quick-change tubing guides
- Clean room compatible



### **Accessories:**

- Custom fixtures available
- Electromechanical valve package (Optional).
- Pneumatic actuator (Optional)
- Foot pedal activation (Optional)

### **Technical Specifications**

ACTUATORS	Pneumatic Guided Cylinder
SYSTEM CONTROL	Pneumatic logic
	Electromechanical valve (Optional)
POWER	115V - 220 AC (Optional)
AMP	1.0 AMP (Optional)
Hz	50 – 60 (Optional)
AIR	60 PSI
DIMENSION	18in (W) x 18in (D) x 18in (H)

1950 w. 84<sup>th</sup> Street  
 Miami, Florida 33014 USA  
 Toll Free: 866.299.3361  
 Fax: 305.826.3008

Office:305.826.8262  
 Email: sales@cacmiami.com  
 Website: www.cacglobal.com

Blvd. Oscar Flores #2608 Local #4  
 Cd. Juárez, Chih. MX CP 32390  
 Fax:(011)52 .56.611.6771

Office: (011) 52.656.611.6770  
 Email: sales@cacdmx.com  
 Website: www.cacglobal.com